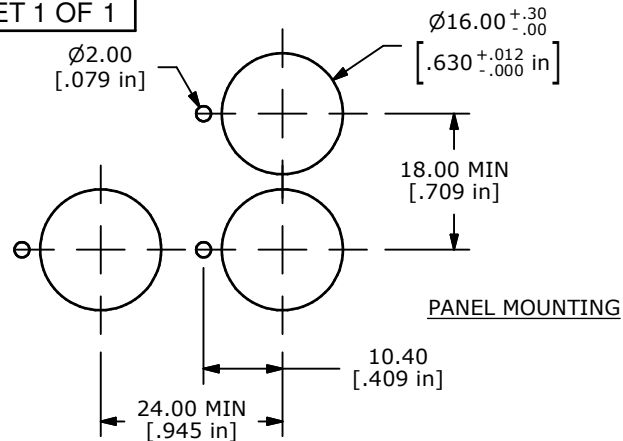
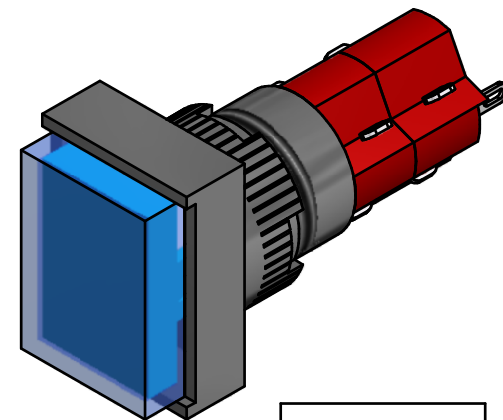
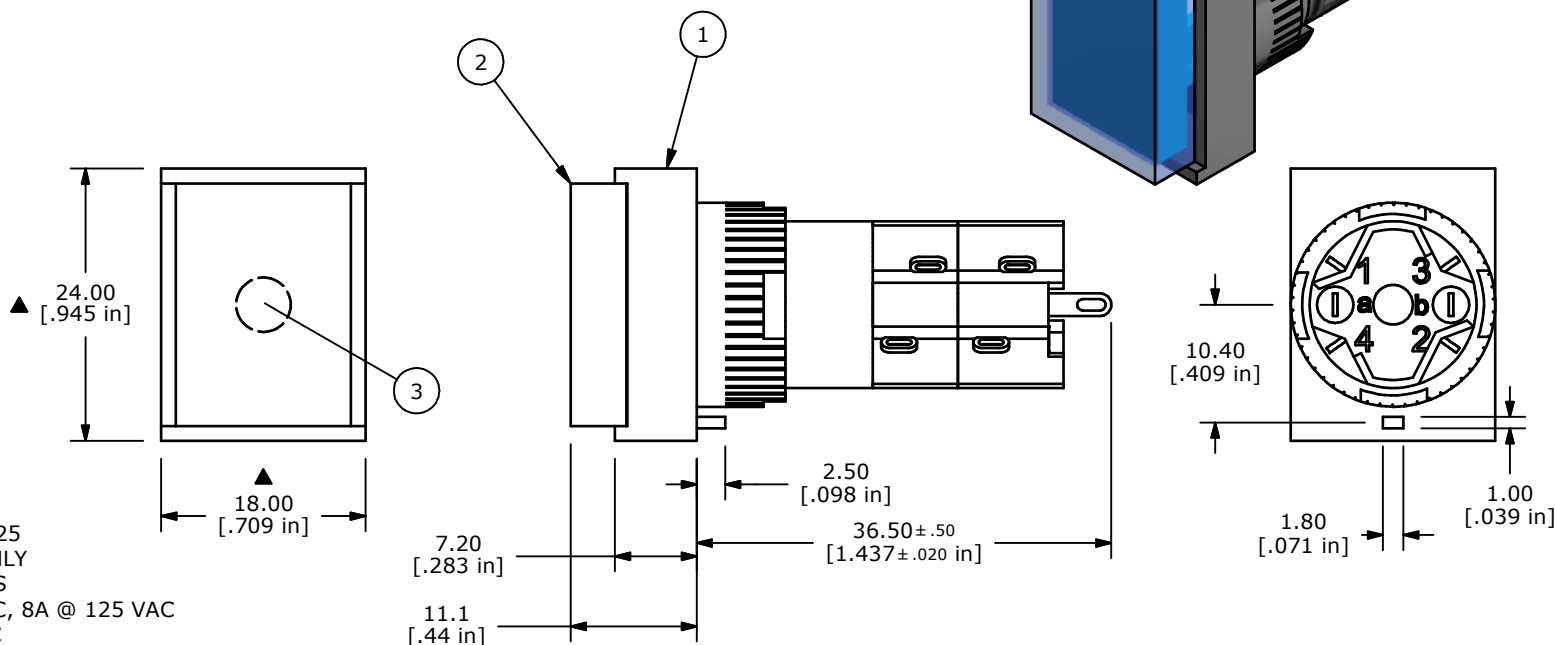
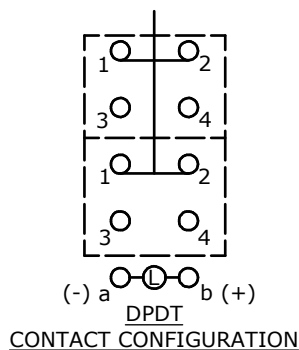


PARTS LIST				
ITEM	QTY	PART NUMBER	DESCRIPTION	
1	1	F040035	D16OAT12	
2	1	F050211	50-002-11 TRANSPARENT FLAT BLUE LENS	
3	1	F050431	50-004-31 6VDC WHITE LED	



PANEL MOUNTING



NOTE:

1. ALL DIMENSIONS IN MM [INCH]
2. GENERAL TOLERANCE: X.X=±0.4
X.XX=±0.25
3. TERMINAL NUMBERS FOR REF ONLY
4. ELECTRICAL LIFE: 50,000 CYCLES
5. CONTACT RATING: 5A @ 250 VAC, 8A @ 125 VAC
6A @ 24 VDC
6. SEAL RATING: IP40
7. MOUNTING PANEL THICKNESS: 0.5 - 5.0 mm
8. INSULATION RESISTANCE: 1,000 MΩ MIN.
9. OPERATING TEMP.: -25°C to 55°C
10. FULL TRAVEL: 3.0 mm
- ▲11. LAMP VOLTAGE: 6VDC LED
12. ▲ DENOTES CRITICAL PARAMETER.
13. 2002/95/EC (ROHS) COMPLIANT.



A	21353	RELEASED FOR PRODUCTION	1/16/14	EBP
REV	PCR NO	DESCRIPTION	DATE	BY

TITLE D16OAT12HWHTBLU				
SCALE	DATE	DR	DWG	REV
	1/16/2014	EBP	XF0883P	A

THE INFORMATION CONTAINED IN THIS DOCUMENT IS PROPRIETARY TO E-SWITCH AND IS NOT TO BE COPIED OR TRANSFERRED